

Large Fleet Brake Drum Cleaner

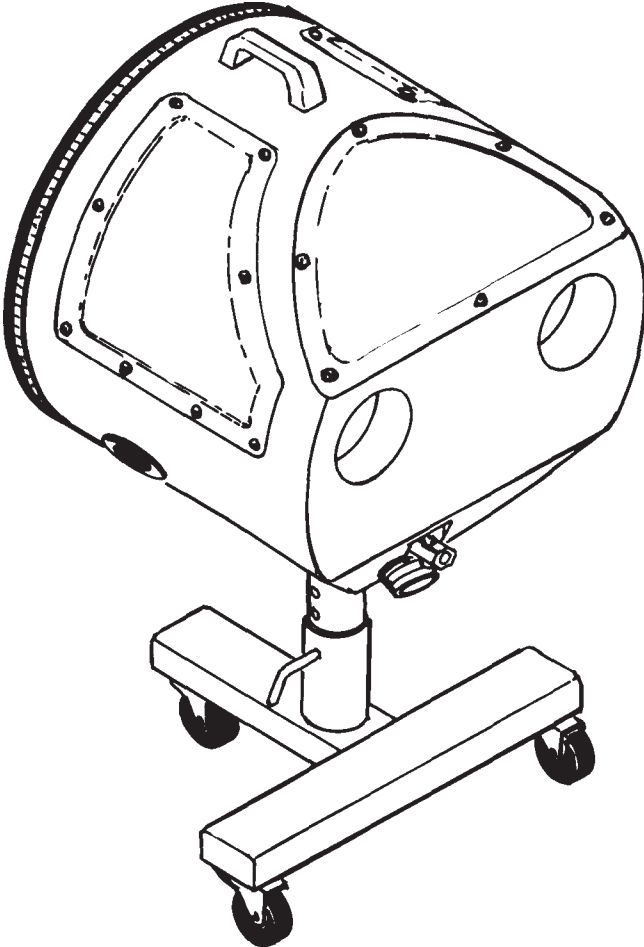
Model:
807016

OPERATION

SERVICE

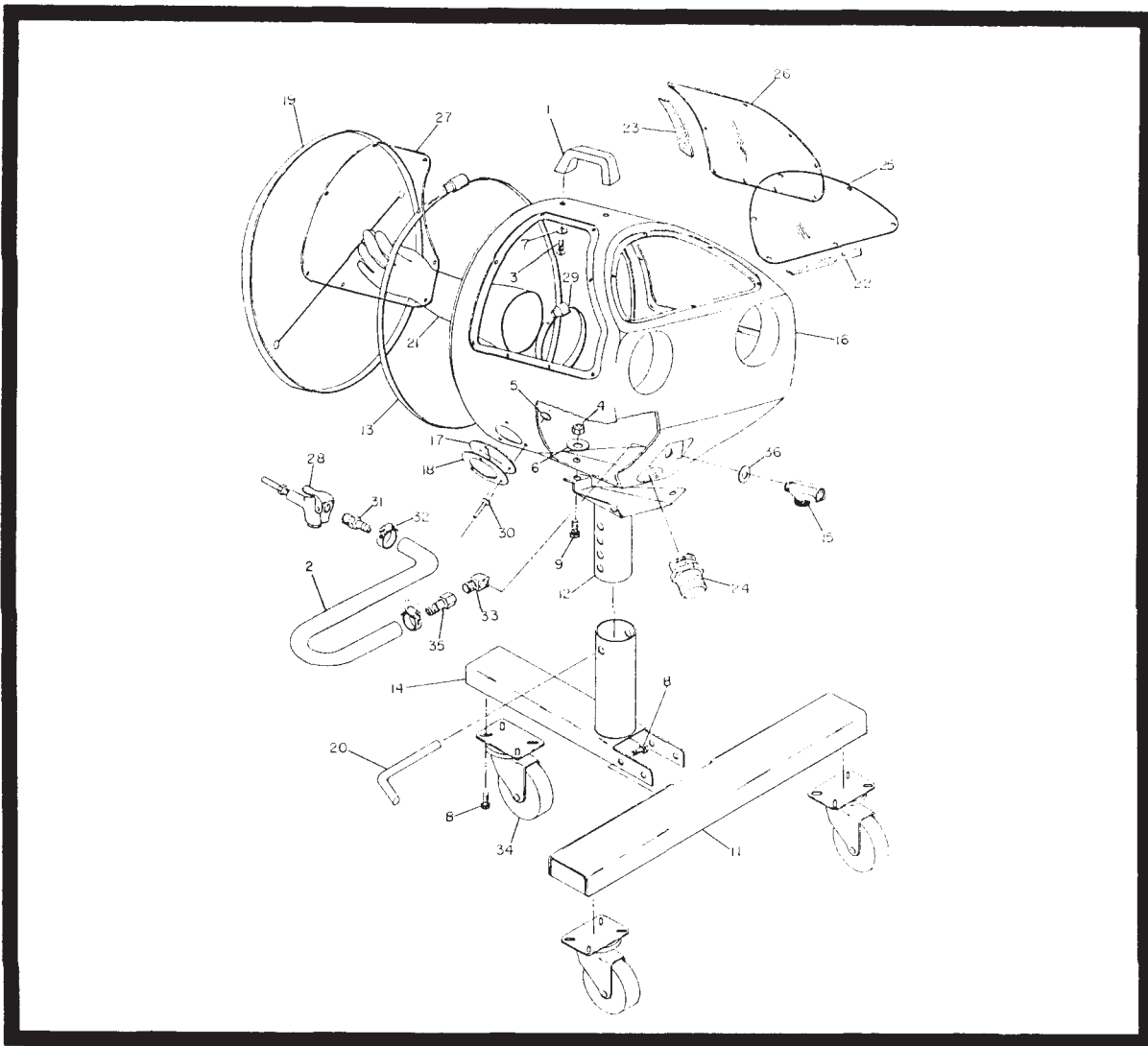
PARTS

CARE



PARTS LIST

ITEM	PART NO.	QTY.	DESCRIPTION
1	130040POL	1	Handle Polished
2	450057	1	Hose, Grey
3	711203	2	BLT-HH 1/4-20 x .62
4	711375	3	Nut-Nyloc 3/8-16
5	711503	30	WSR-Flat #10
6	711507	3	WSR-Flat .37 x 1.12 x .06
7	711519	2	WSR-Flat .25 x 1.01 x .06
8	712042	16	Bolt-WSR HH 5/16-18 x .62
9	712083	3	BLT Flanged 3/8 x 16
10	715002	1	Decal - LG
11	750500	1	Caster Base Weldment
12	750501	1	Drum Mount Assembly
13	750503	1	Clamp Band Assembly Boot
14	750504	1	Stabilizer Assembly
15	760501	1	Ball Valve Regulator
16	760546	1	Poly Drum
17	760547	2	Valve Access Boot
18	760548	2	Bezel Plate
19	760551	1	Drum Diaphragm
20	760557	1	Adjustor Pin
21	760560	1	Neoprene Glove
22	760573	1	Window Gasket Rear
23	760574	2	Window Gasket Side
24	760575	1	Insert Hose Fitting 2"
25	760599	1	Rear Window Poly Drum
26	760607	1	Side Window Left
27	760608	1	Side Window Right
28	807003	1	Air Gun 1/4 FMPT
29	808744	2	Hose Clamp
30	828893	30	Rivet Pop
31	828952	1	3/8 Barb x 1/4 MPT
32	829129	2	Hose Clamp
33	831306	1	Street 90 1/4 Brass
34	833298	3	Caster
35	833473	1	Hose Barb
36	711594	2	WSR-Flat .56 x .88 x .03 NI



OPERATING INSTRUCTIONS

Model 807016 Truck Brake Drum Cleaner

Mount the head assembly on to the portable stand. Height adjustment is determined by measuring the height of the truck wheel axle after the tires have been removed. Adjust hood to proper height and insert pin No. 20 through holes in dolly cart.

Attach 2" vacuum hose to inlet No. 24 and to H.E.P.A. Vacuum. Attach air hose with quick coupler to pressure regulator No. 15 maximum air pressure 50 PSI through 1/4" - 3/8" air line. Pressure can be regulated to maintain negative pressure and CFM within the hood assembly while the vacuum is in operation. Always maintain negative pressure within the hood. Check air flow aperture opening No. 17 while vacuum is attached and turned on and the air pressure blowing nozzle is turned on. Air flow direction must be into the hood at all times. Air blowing out of the hood would indicate to high a pressure and CFM volume from the blowing nozzle.

With vacuum turned on roll hood assembly up to the truck axle, this should be directly in the center of the hood assembly. With both hands outside the hood, stretch the rubber diaphragm to below the axle and the brake assembly into the hood. When the brake assembly is totally encapsulated, insert your hands into the non-permeable gloves using the blowing nozzle, blow all the asbestos dust out of the brake assembly. Using a circular motion allow the dust that may be left around the inside of the hood itself, then blow out the brake assembly again to be sure you have removed all traces of asbestos dust before removing the hood assembly. Remove the hood assembly while the asbestos recovery vacuum is still on.

DANGER

Hazardous materials must be disposed of properly. Never throw contaminated debris in your usual trash receptacle. Place debris in a plastic bag or can marked "HAZARDOUS MATERIALS" and take to a hazardous waste handler.

LIMITED WARRANTY

Minuteman International, Inc. warrants to the original purchaser/user that this product is free from defects in workmanship and materials under normal use and service for a period of three years from date of purchase. In addition, Minuteman International, Inc. will, at its option, honor labor warranty claims for the first 12 months from date of sale, provided such claims are submitted through and approved by factory authorized repair stations. Minuteman International, Inc. will, at its option, repair or replace without charge, except for transportation costs, parts that fail under normal use and service when operated and maintained in accordance with the applicable operation and instruction manuals.

This warranty does not apply to normal wear, or to items whose life is dependent on their use and care, such as belts, cords, switches, hoses, rubber parts, electrical motor components or adjustments. Parts not manufactured by Minuteman International, Inc. such as engines, batteries, battery chargers, hydraulic pumps, and tires are covered by and subject to the warranties and/or guarantees of their manufacturers. Please contact Minuteman International, Inc. for procedures in warranty claims against these manufacturers.

Special warning to purchaser — Use of replacement filters and/or prefilters not manufactured by Minuteman International, Inc. or its designated licensees, will void all warranties expressed or implied.

A potential health hazard exists without exact original equipment replacement.

All warranted items become the sole property of Minuteman International, Inc. or its original manufacturer, whichever the case may be.

Minuteman International, Inc. disclaims any implied warranty, including the warranty of merchantability and the warranty of fitness for a particular purpose. Minuteman International, Inc. assumes no responsibility for any special, incidental or consequential damages.

This limited warranty is applicable only in the U.S.A. and Canada, and is extended only to the original user/purchaser of this product. Customers outside the U.S.A. and Canada should contact their local distributor for export warranty policies. Minuteman International, Inc. is not responsible for costs or repairs performed by persons other than those specifically authorized by Minuteman International, Inc. This warranty does not apply to damage from transportation, alterations by unauthorized persons, misuse or abuse of the equipment, use of non-compatible chemicals, or damage to property, or loss of income due to malfunctions of the product.

If a difficulty develops with this machine, you should contact the dealer from whom it was purchased.

This warranty gives you specific legal rights, and you may have other rights which vary from state to state. Some states do not allow the exclusion or limitation of special, incidental or consequential damages, or limitations on how long an implied warranty lasts, so the above exclusions and limitations may not apply to you.

Minuteman[®]

World Headquarters
Minuteman International, Inc.
111 South Rohlwing Road
Addison, Illinois 60101

Minuteman Canada, Inc.
2210 Drew Road
Mississauga, Ontario
L5S 1B1

(630) 627-6900
FAX (630) 627-1130

(905) 673-3222
FAX (905) 673-5161

987814
Printed in U.S.A.